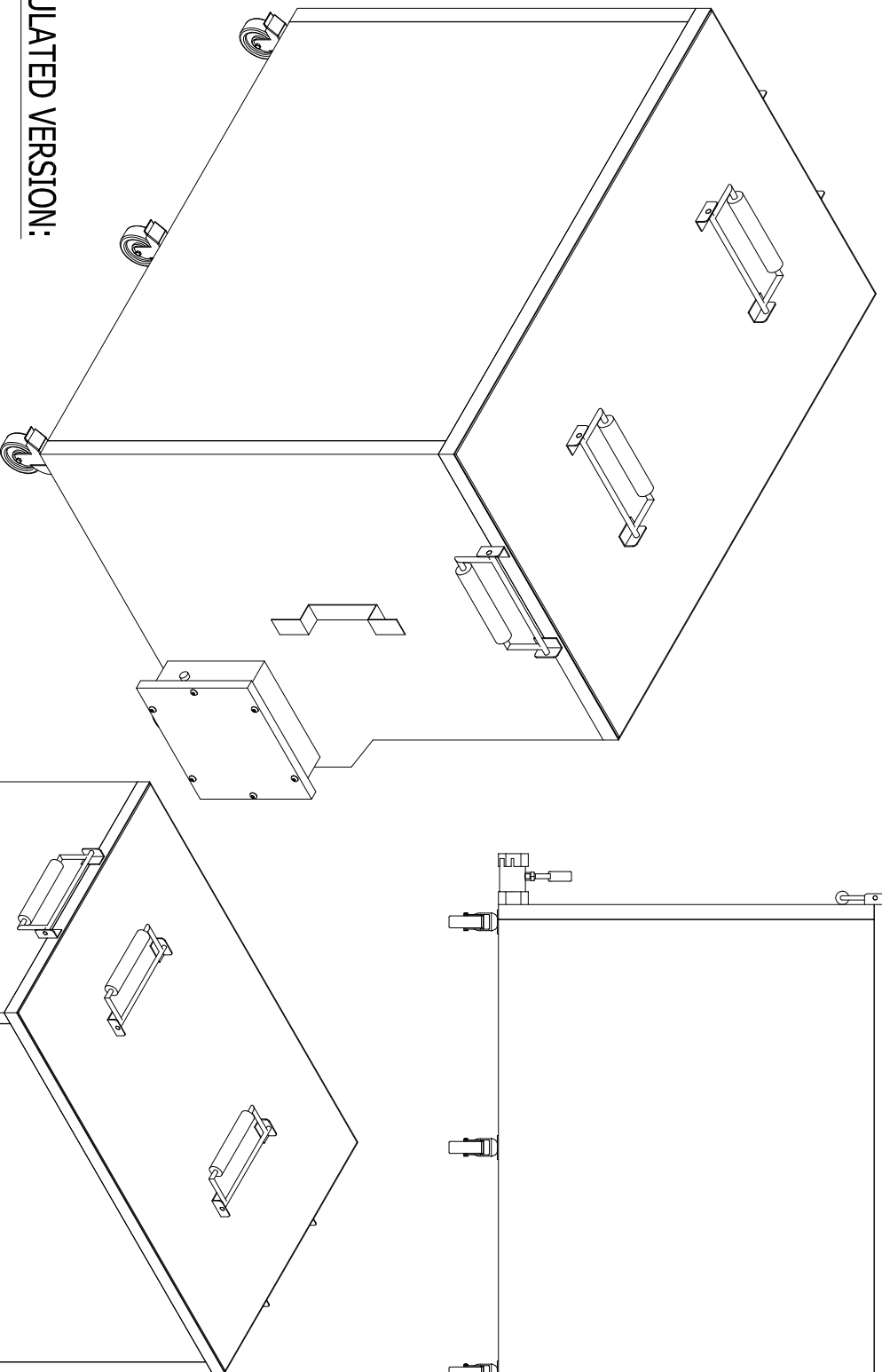
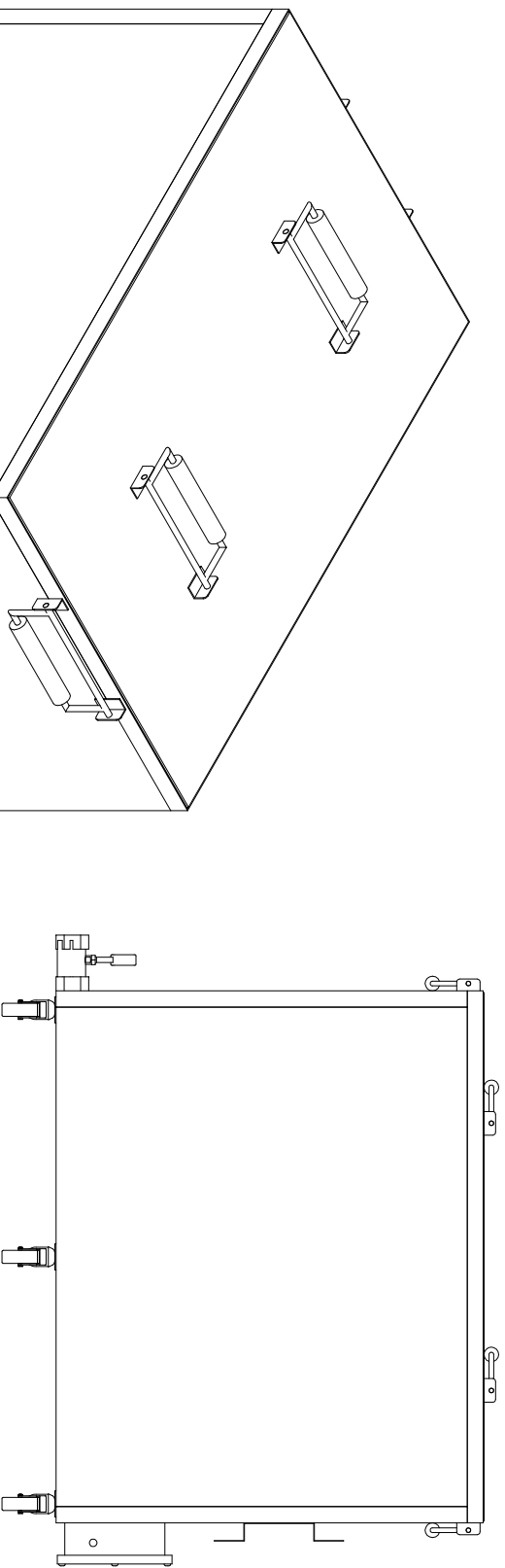


|             |          |                |            |
|-------------|----------|----------------|------------|
| Project     |          | Tank - Large   |            |
| Title       |          | Main View      |            |
| Designed    |          | Tomek Karpziel |            |
| Scale       | 1:10     | Format         | A4         |
| Drawing No. | L-12-10a | Date           | 2016.12.20 |

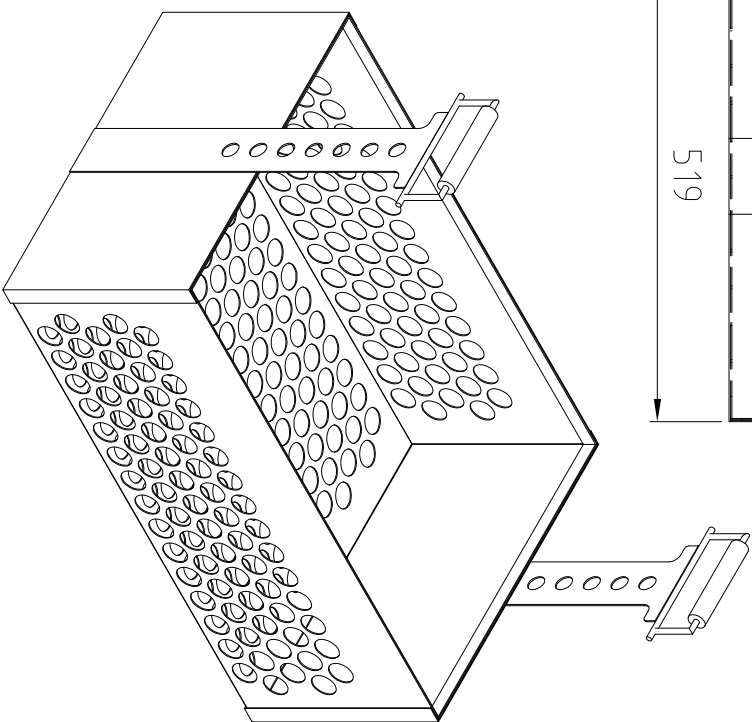
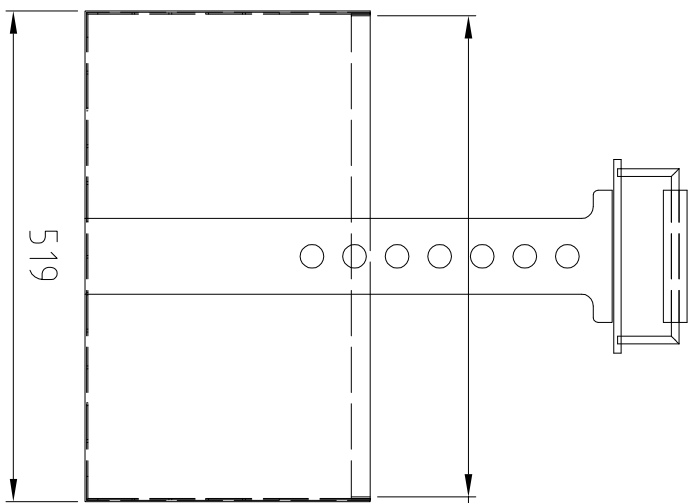
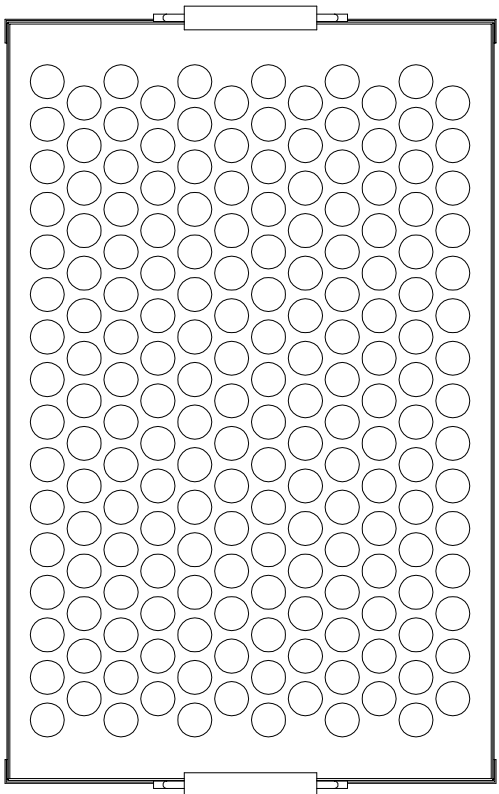
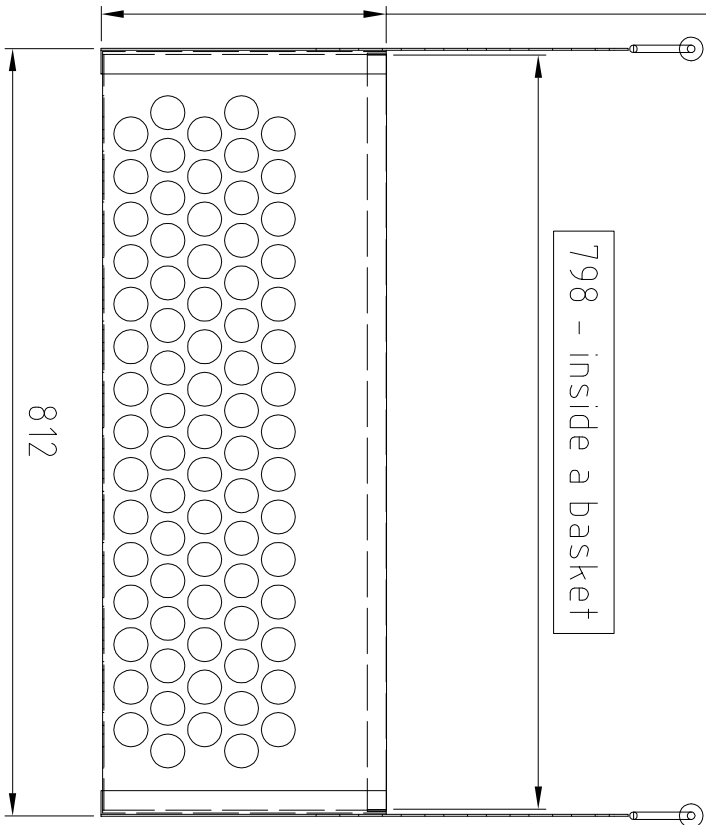


**Tank "LARGE" - ISULATED VERSION:**

- capacity - about 250 litres (h=150 mm empty space from top of the water level to the top lid taken into consideration)
- 1 x heating element 2,5 kW, 230V/ 50HZ
- mechanical thermostat
- unit made of stainless steel grade 304
- no.6 wheels (no.3 with brakes) made of white polyamide, with steel chassis

|             |  |                |
|-------------|--|----------------|
| Project     |  | Tank – Large   |
| Title       |  | ISO View       |
| Designed    |  | Tomek Karpziel |
| Scale       |  | –              |
| Drawing No. |  | L-12-11a       |
| Format      |  | A4             |
| Date        |  | 2016.12.20     |

302 - inside a basket



|             |                |                 |
|-------------|----------------|-----------------|
| Project     | Tank - Large   |                 |
| Title       | Basket         |                 |
| Designed    | Tomek Karpziel |                 |
| Scale       | 1:8            | Format A4       |
| Drawing No. | D-03-12a       | Date 2016.12.20 |